

The Agitator Pump KBD Series is a cast iron made, heavy-duty slurry pump employing the KBZ Series as the base.

An agitator is provided to assist smooth suction of the pumping fluid.

The side-flow, top-discharge design keeps the motor cooling even if the pump is operated continuously with its motor exposed in air, and it makes the pump easier to be placed in a confined space.

This pump is suitable for transferring or draining bentonite slurry used for slurry drilling, draining slurry mixed water in civil engineering works or foundation works.



Specification

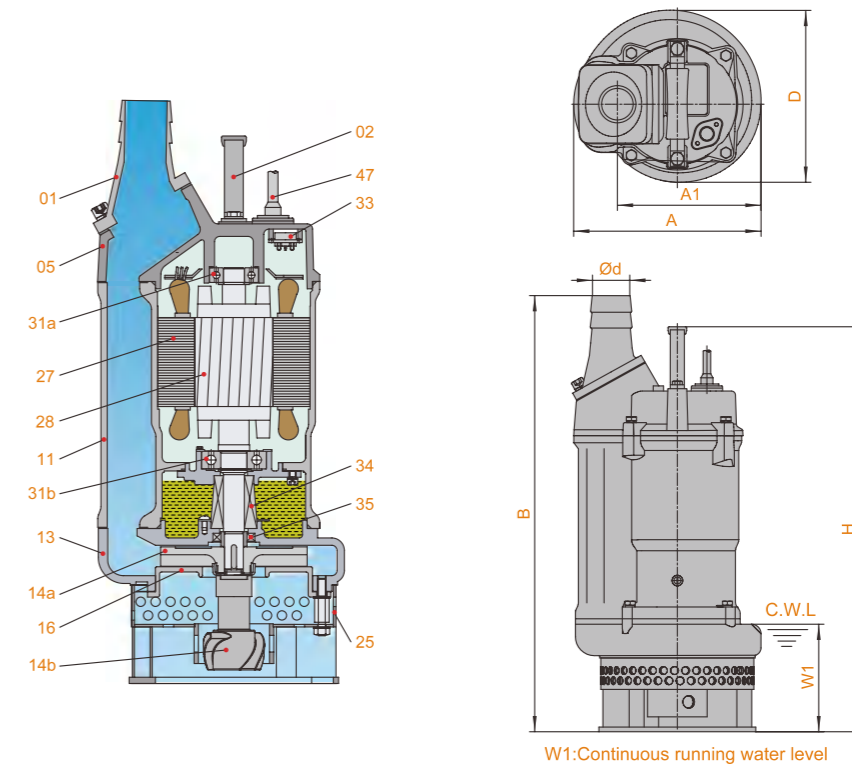
- Capacity: up to 90 m³/h
- Head: up to 30 meters
- Power: 1.5kW(2HP) to 3.7 kW (5HP)
- Power supply: three phase 400V±10%,50Hz
380V±10%,60Hz
- Insulation class: F
- Protection class: IP68
- Cable length: 8m
- Water temperature: up to 40°C
- Max.water depth: 25m

Application

- Civil engineering
- Mines, quarries, coal ore & slurries
- Sewage treatment plants
- General pumping purposes

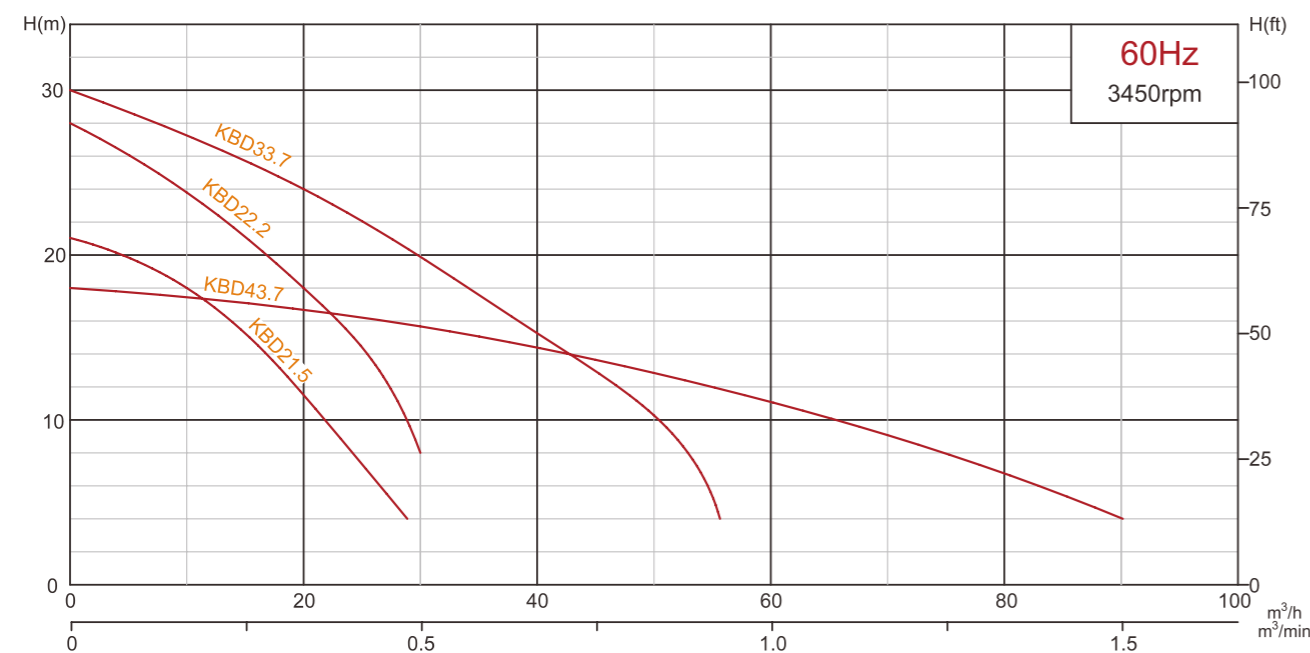
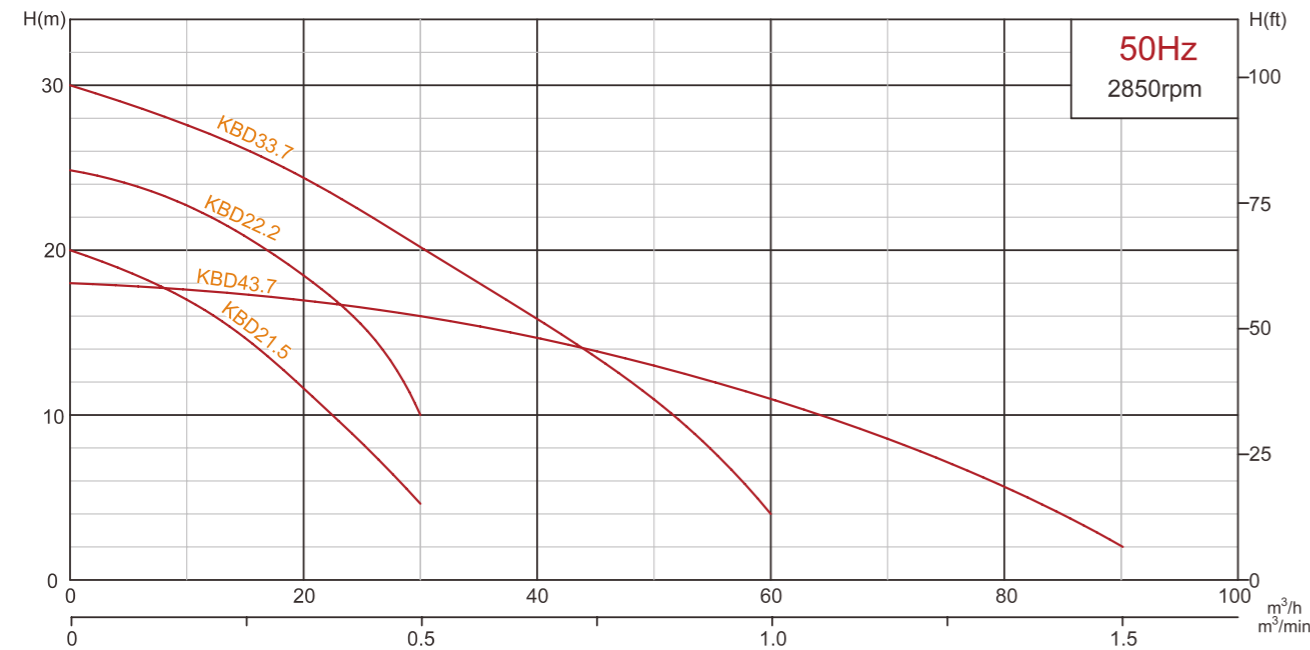
Special features on request

- Other voltages
- The length of cable is optional



Item No.	Part name	Material	Item No.	Part name	Material
01	Hose coupling	Cast iron	27	Stator	
02	Handle	Rubber&steel	28	Rotor	Shaft:AIS1420SS
05	Upper cover	Cast iron	31a	Bearing	Ball bearing
11	Motor body	Cast iron	31b	Bearing	Ball bearing
13	Pump body	Cast iron	33	Motor protector	
14a	Impeller	High chrome alloy	34	Mechanical sea	Sic-Sic/Carbon-Sic(≤2.2kW) Sic-Sic/Sic-Sic(≤3.7kW)
14b	Agitator	High chrome alloy	35	Oil seal	
16	Inlet plate	Ductile iron	47	Cable	
25	Strainer	Steel			

Model	d	A	A1	B	D	H	W1	N.W	G.W	Packing dimension
50/60Hz	mm	mm	mm	mm	mm	mm	mm	Kg	Kg	mm
KBD21.5	50	235	173	557	216	522	135	37	41	610*265*265
KBD22.2	50	235	173	557	216	522	135	40	44	610*265*265
KBD33.7	80	283	208	636	252	642	165	64	69	710*320*295
KBD43.7	100	283	208	661	252	642	165	65	70	710*320*295



Model 50/60HZ	Outlet mm	Motor power		Rated current (400V) A	Rated capacity		Rated head m	Max capacity		Max head m	impeller passage mm
		kW	HP		m³/h	m³/min		m³/h	m³/min		
KBD21.5	50	1.5	2	3.5	15	0.25	15	30/27	0.50/0.45	20/21	10
KBD22.2	50	2.2	3	5.0	18	0.3	19	30	0.50	25/28	10
KBD33.7	80	3.7	5	7.7	30	0.5	20	60/55	1.0/0.92	30	10
KBD43.7	100	4.7	5	7.7	60	1.0	11	90	1.50	18	10

The Agitator Pump KBDE Series is a cast iron made, heavy-duty slurry pump employing the KBZ Series as the base.

An agitator is provided to assist smooth suction of the pumping fluid. The side-flow, top-discharge design keeps the motor cooling even if the pump is operated continuously with its motor exposed in air, and it makes the pump easier to be placed in a confined space. This pump is suitable for transferring or draining bentonite slurry used for slurry drilling, draining slurry mixed water in civil engineering works or foundation works. The pump can operate automatically with built-in intelligent control system, thus achieve low total energy costs.

Main advantages

- Protect against reverse phase.ensu ring correct impeller rotation;
- Protect against open phase or impeller jam .thus prevent accidental damage;
- Automatically stop the pump in event of overload,abnormal voltage and recovery 5 min later;
- The pump stops working at high temperature,and will automatically boots after cooling to the specified temperature;
- The water sensor's height is adjustable to control pump operation and stop;
- The pump stops working within 60s when waterlevel is below the probe and keep downtime for 180s,after 180s.when the waterlevel is above the probe,the pump will work again;
- Rapid assessment about the pump operation and malfunction history.



Specification

- Capacity: up to 90 m³/h
- Head: up to 30 meters
- Power:1.5kW(2HP) to 3.7 kW (5HP)
- Power supply: three phase 400V±10%,50Hz 380V±10%,60Hz
- Insulation class: F
- Protection class: IP68
- Cable length: 8m
- Water temperature: up to 40°C
- Max.water depth: 25m

Application

- Civil engineering
- Mines,quarries,coal ore & slurries
- Sewage treatment plants
- General pumping purposes

Special features on request

- Other voltages
- The length of cable is optional