



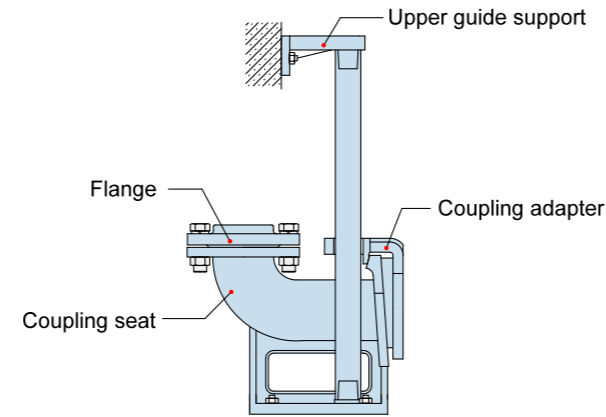
## Cast iron submersible sewage pump

U

Cast iron submersible sewage pump



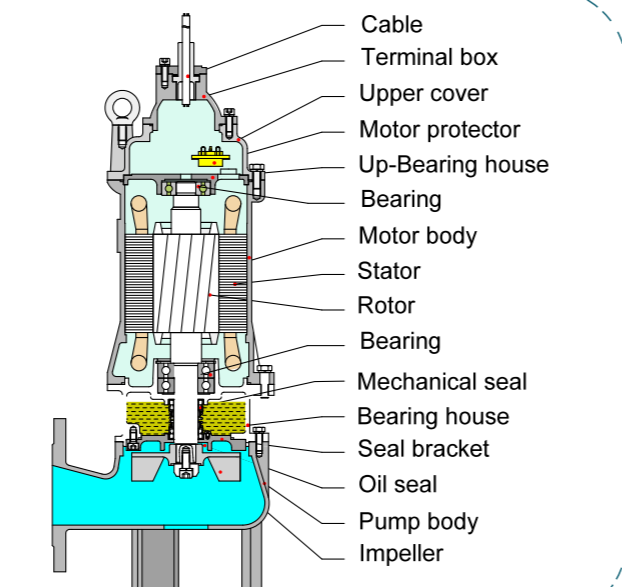
### AUTO-COUPLED INSTALLATION(Z)



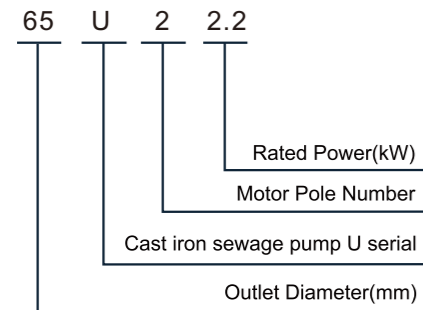
### Advantage



U pump is a multi-purpose pump with a vortex impeller. The impeller used mainly in volute pumps. Vortex impellers pump water by the eddy flow caused by interaction with the casing, which prevents internal clogging by solids and fibrous matter.



### Model Instruction



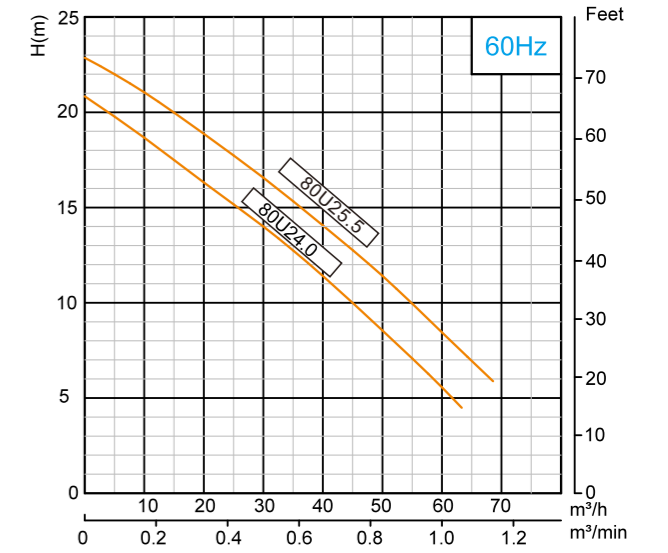
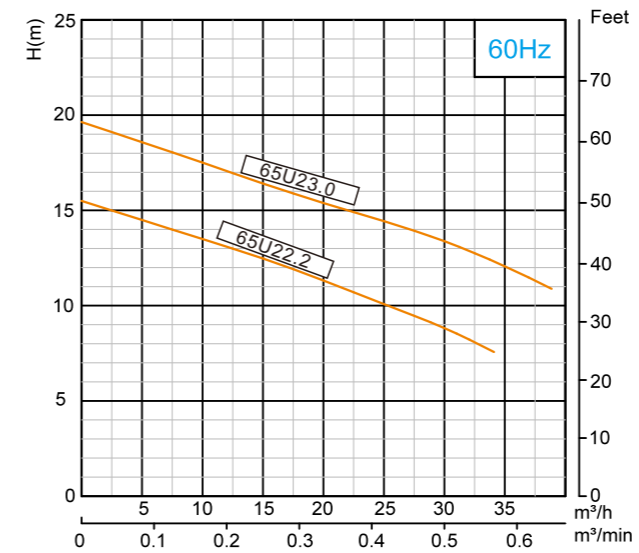
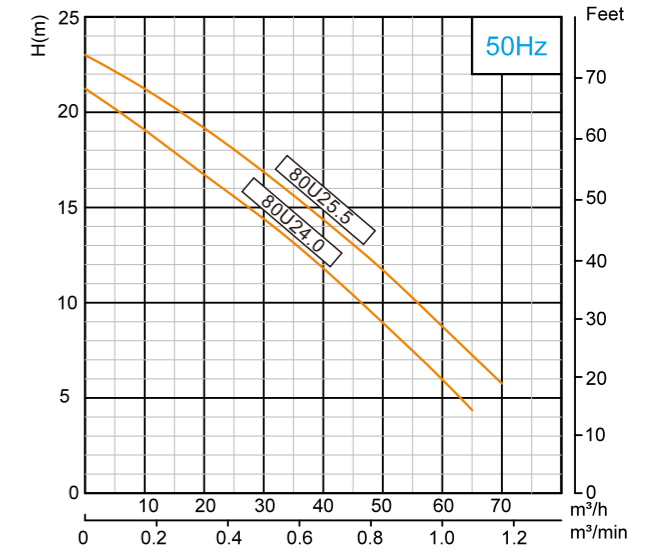
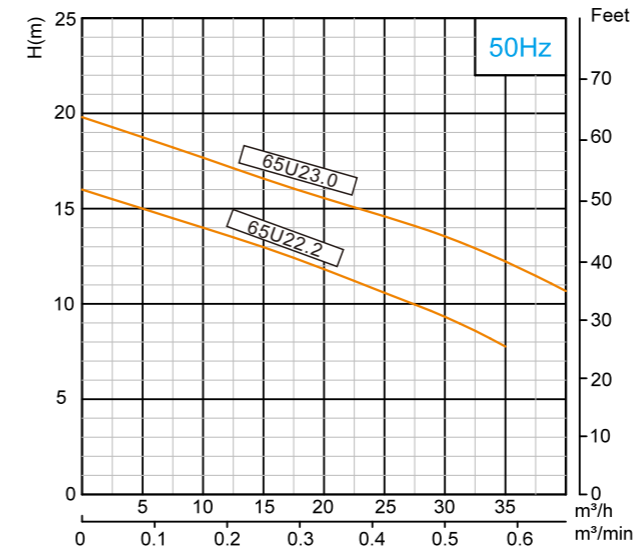
### Specification

- Insulation class : B
- Protection class : IP68
- Water temperature : up to 40°C
- PH : 6 to 10
- Density of liquid : 1.3g/cm<sup>3</sup>
- Power supply : three phase 380V ±10%, 50Hz  
three phase 380V ±10%, 60Hz
- Motor protection : built in
- Capacity : up to 70m<sup>3</sup>/h
- Head : up to 23 m
- Maximum immersion depth : 10m
- Cable Length : 8m



## Cast iron submersible sewage pump

### Performance Curve & Table

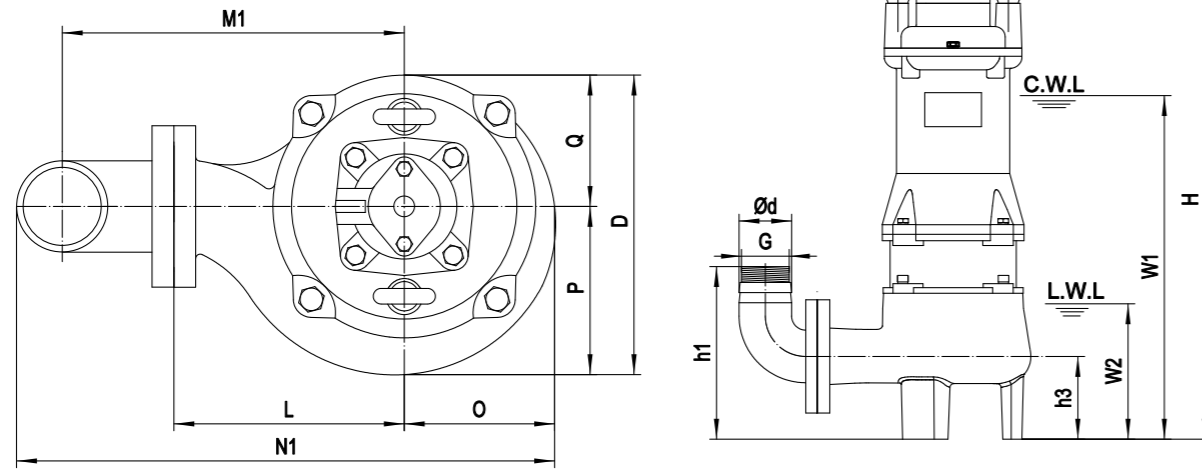


Model (50/60Hz)	Voltage	Current	Motor power		Outlet		Rated capacity	Rated head	Max capacity	Max Head	Impeller Passage	Cable
	V	A	kW	HP	in	mm	m <sup>3</sup> /h	m	m <sup>3</sup> /h	m	mm	mm <sup>2</sup>
65U22.2	380	5	2.2	3	2½	65	25	10	35	16	56	4G1.0
65U23.0	380	6.5	3	4	2½	65	25	15	40	20	56	4G1.5
80U24.0	380	8.9	4	5.5	3	80	40	12	65	21	56	4G2.5
80U25.5	380	11.7	5.5	7.5	3	80	50	12	70	23	56	4G2.5

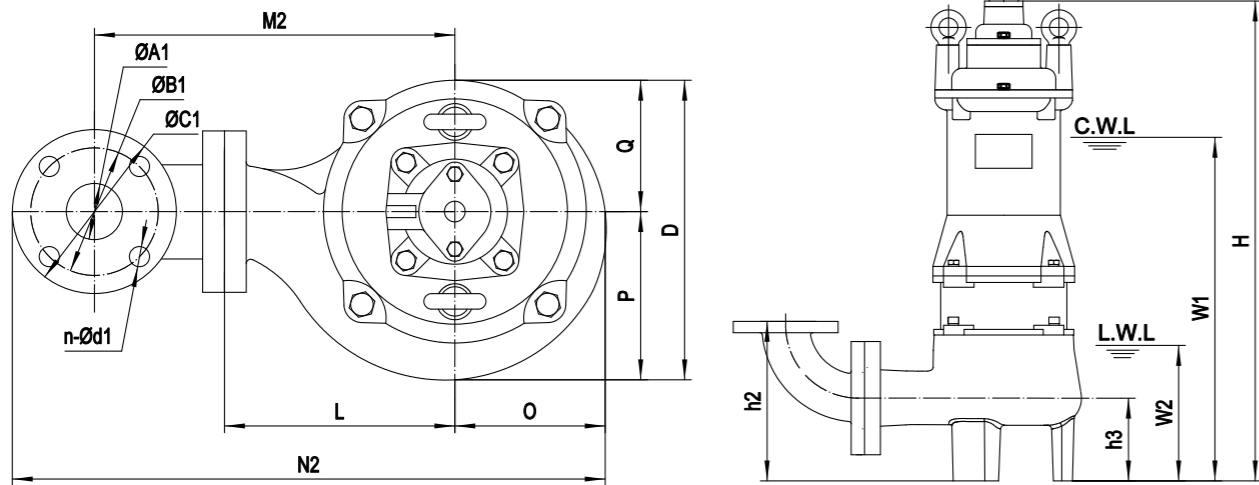


## Cast iron submersible sewage pump

### MOVABLE SOFT PIPE INSTALLATION(R)



### HARD PIPE INSTALLATION(Y)



Model	Ød	G	ØA1	ØB1	ØC1	n-Ød1	h1	h2	h3	W1	W2	H	O	P	Q	L	D	M1	M2	N1	N2
65U22.2	65	G2"	65	130	160	4-Ø14	210	210	90	425	170	585	100	102	93	155	195	227	267	360	447
65U23.0	65	G2"	65	130	160	4-Ø14	210	210	90	440	170	620	100	102	93	155	195	227	267	360	447
80U24.0	80	G2½"	80	150	190	4-Ø18	245	240	100	455	170	645	105	110	100	175	210	267	317	410	517
80U25.5	80	G2½"	80	150	190	4-Ø18	245	240	100	480	170	675	110	113	105	175	223	267	317	413	520

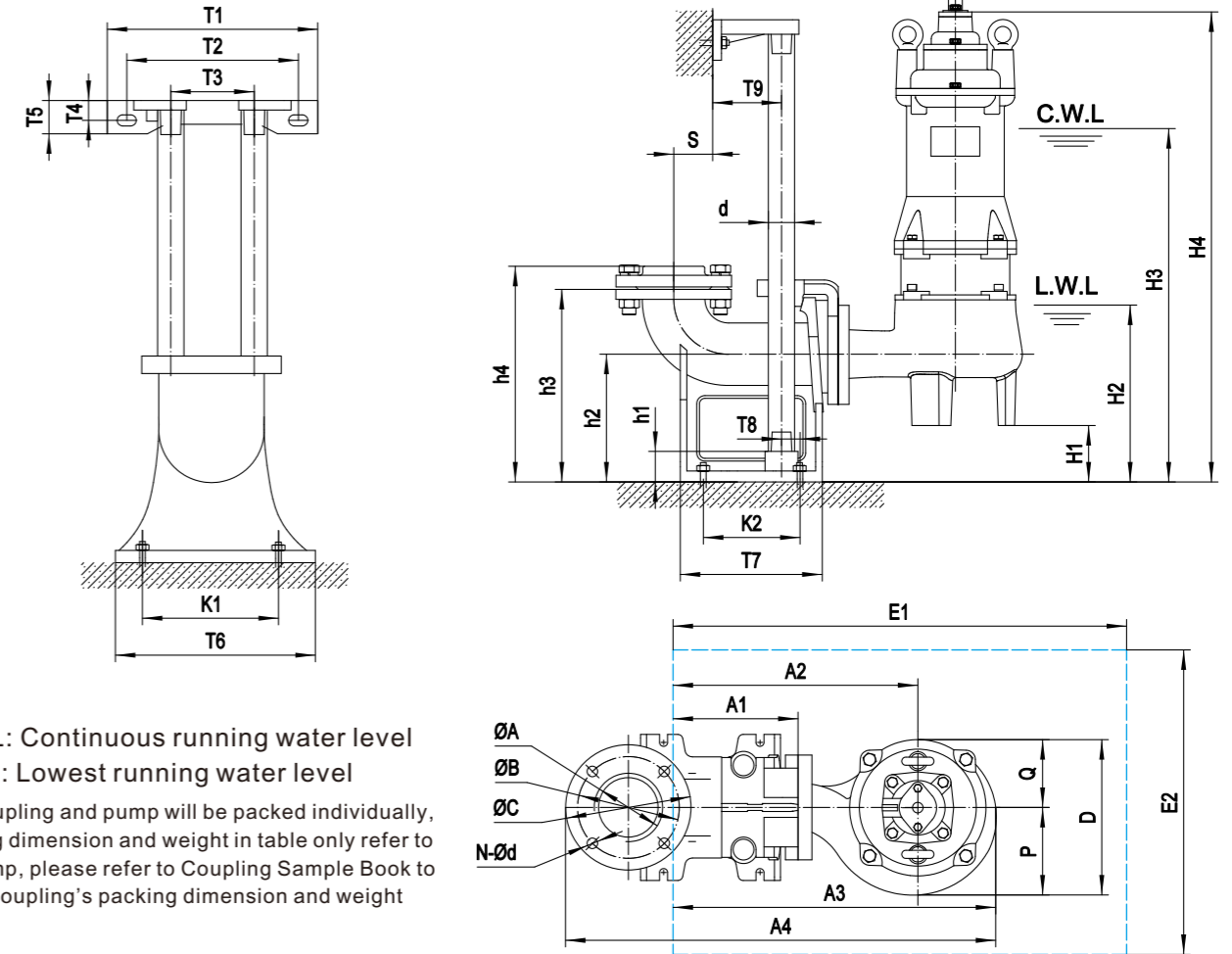
### Weights & Packing dimensions

Model	R			Y			Model	R			Y		
	N.W	G.W	Packing dimension	N.W	G.W	Packing dimension		N.W	G.W	Packing dimension	N.W	G.W	Packing dimension
	kg	kg	mm	kg	kg	mm		kg	kg	mm	kg	kg	mm
65U22.2	39	45	700×230×305	43	49	700×230×315	80U24.0	59	64	760×250×335	63	68	760×250×355
65U23.0	48	54	740×230×305	52	58	740×230×315	80U25.5	73	77	790×260×335	77	81	790×260×355



## Cast iron submersible sewage pump

### AUTO-COUPLED INSTALLATION(Z)



C.W.L: Continuous running water level  
L.W.L: Lowest running water level

The coupling and pump will be packed individually, packing dimension and weight in table only refer to the pump, please refer to Coupling Sample Book to check coupling's packing dimension and weight

### Dimensions table

Auto coupling	ØA	ØB	ØC	N-Ød	T1	T2	T3	T4	T5	T6	T7	T8	T9	K1	K2	S	h1	h2	h3	h4
65-65(PN6)	Ø65 / G2½"	130	160	4-Ø14	280	230	125	30	50	230	235	20	70	190	155	90	25	165	265	295
80-80(PN6)	Ø80 / G3"	150	190	4-Ø18	315	265	145	27	50	255	225	30	78	215	155	77	25	190	305	335

### Dimensions table

Model	Auto coupling	H1	H2	H3	H4	A1	A2	A3	A4	P	Q	D	E1×E2	Pump weight & packing dimension		
														N.W	G.W	Packing dimension
65U22.2	65-65(PN6)	75	245	500	660	155	245	410	580	102	93	195	650×550	36	42	700×230×305
65U23.0	65-65(PN6)	75	245	515	695	155	245	410	580	102	93	195	650×550	45	51	740×230×305
80U24.0	80-80(PN6)	90	260	545	735	175	260	455	628	110	100	210	650×550	54	59	760×250×335
80U25.5	80-80(PN6)	90	260	570	765	175	260	460	632	113	105	218	650×550	68	72	790×260×335



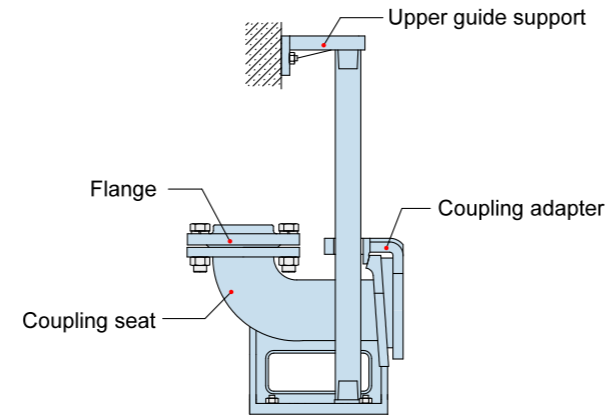
## Cast iron submersible sewage pump

U

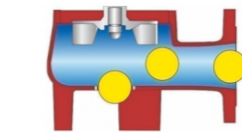
Cast iron submersible sewage pump



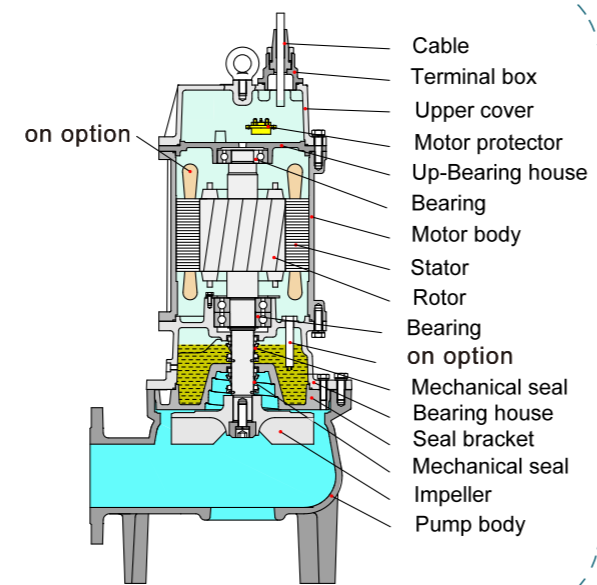
### AUTO-COUPLED INSTALLATION(Z)



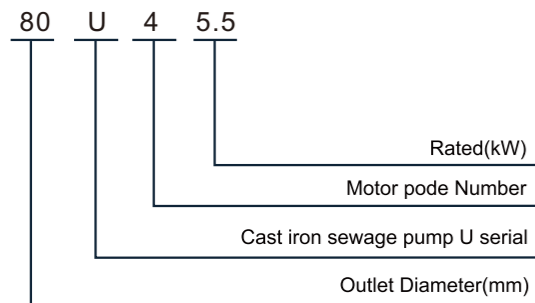
### Advantage



U pump is a multi-purpose pump with a vortex impeller. The impeller used mainly in volute pumps. Vortex impellers pump water by the eddy flow caused by interaction with the casing, which prevents internal clogging by solids and fibrous matter.



### Model Instruction



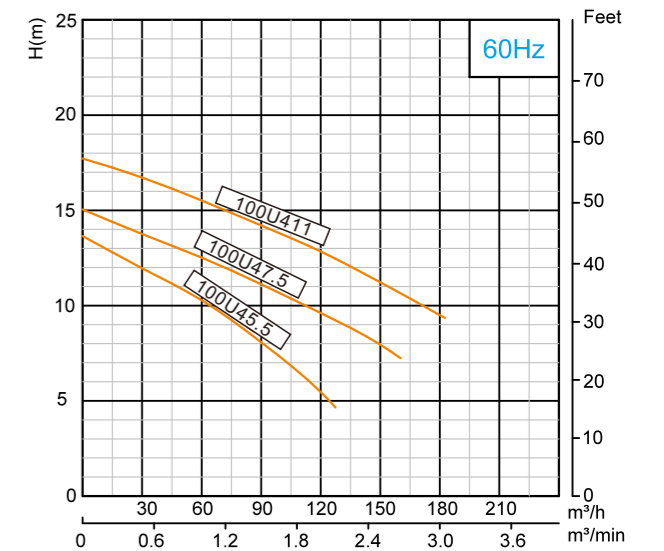
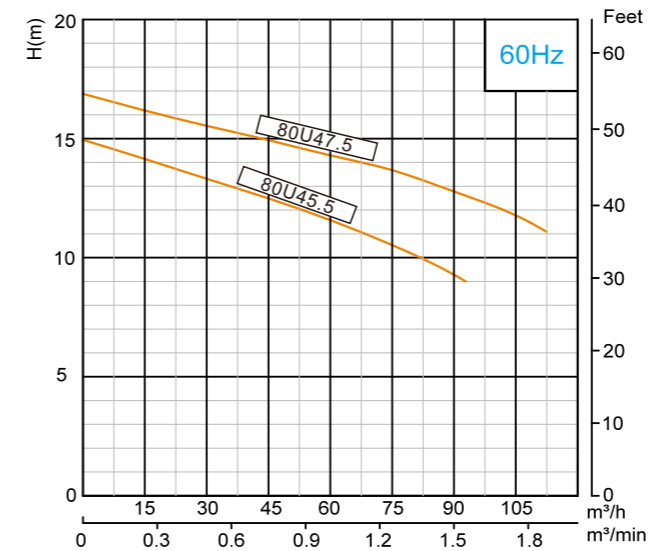
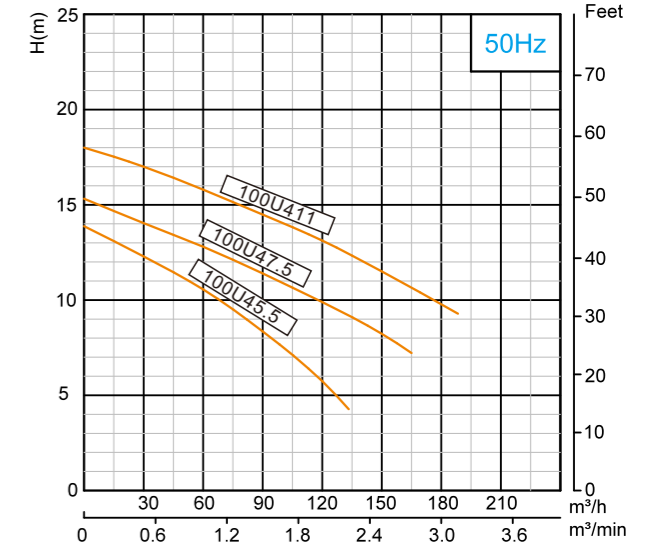
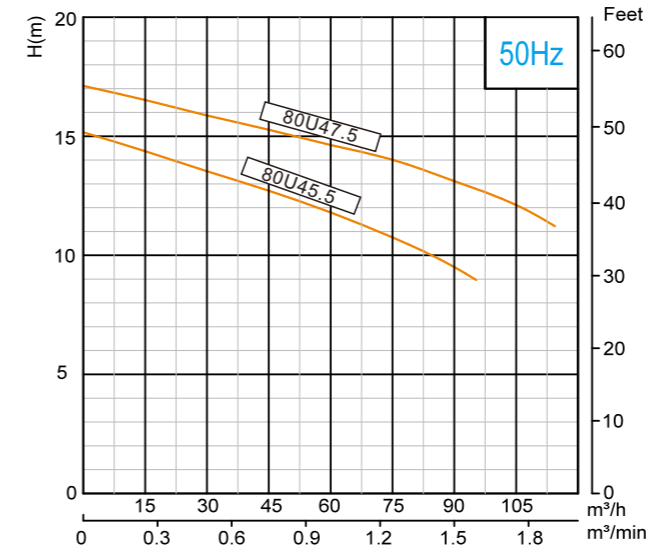
### Specification

- Insulation class : F
- Protection class : IP68
- Water temperature : up to 40°C
- PH : 6 to 10
- Density of liquid : 1.3g/cm<sup>3</sup>
- Power supply : three phase 380V ±10%, 50Hz  
three phase 380V ±10%, 60Hz
- Motor protection : 5.5 ~ 7.5kW built in
- Capacity : up to 190m<sup>3</sup>/h
- Head : up to 18m
- Maximum immersion depth : 20m
- Cable Length : 8m



## Cast iron submersible sewage pump

### Performance Curve & Table

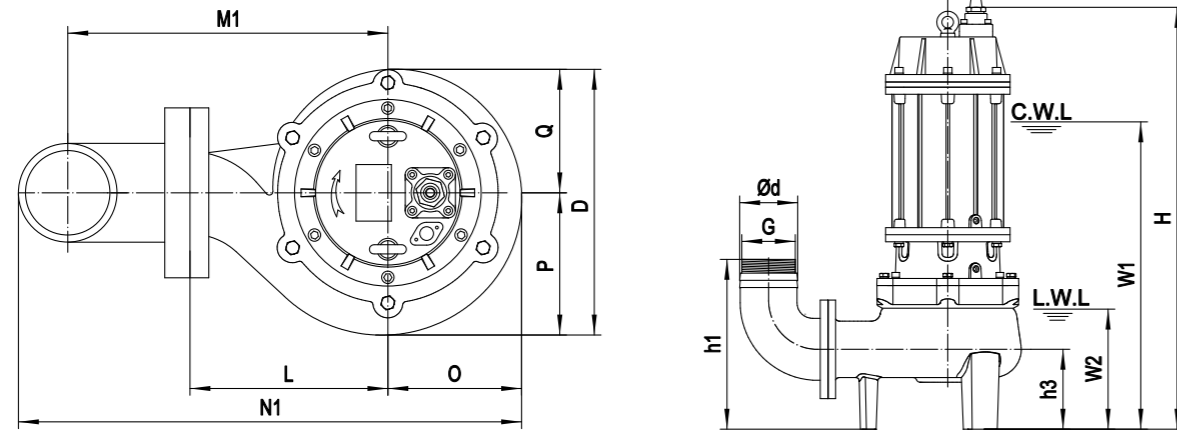


Model	Voltage	Current	Motor power		Outlet		Rated capacity	Rated head	Max capacity	Max Head	Impeller Passage	Cable
			kW	HP	in	mm						
80U45.5	380	11.7	5.5	7.5	3	80	60	12	95	15	80	4G2.5
100U45.5	380	11.7	5.5	7.5	4	100	80	9	135	14	100	4G2.5
80U47.5	380	15.7	7.5	10	3	80	80	14	110	17	80	4G4.0
100U47.5	380	15.7	7.5	10	4	100	110	10	165	15	100	4G4.0
100U411	380	22	11	15	4	100	110	13	190	18	100	4G4.0

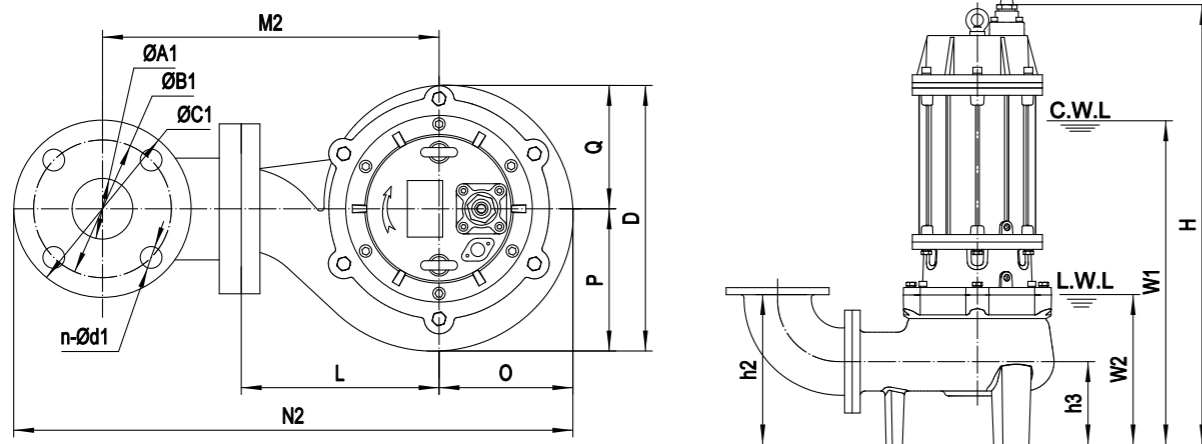


## Cast iron submersible sewage pump

### MOVABLE SOFT PIPE INSTALLATION(R)



### HARD PIPE INSTALLATION(Y)



Model	Ød	G	ØA1	ØB1	ØC1	n-Ød1	h1	h2	h3	W1	W2	H	O	P	Q	L	D	M1	M2	N1	N2
80U45.5	80	G2½"	80	150	190	4-Ø18	285	280	140	590	255	805	153	172	172	230	344	322	372	512	620
100U45.5	100	—	100	170	210	4-Ø18	340	320	170	630	300	850	156	172	172	260	344	362	412	568	673
80U47.5	80	G2½"	80	150	190	4-Ø18	285	280	140	635	255	850	153	172	172	230	344	322	372	512	620
100U47.5	100	—	100	170	210	4-Ø18	340	320	170	675	300	895	156	172	172	260	344	362	412	568	673
100U411	100	—	100	170	210	4-Ø18	340	320	170	735	300	955	156	172	172	260	344	362	412	568	673

### Weights & Packing dimensions

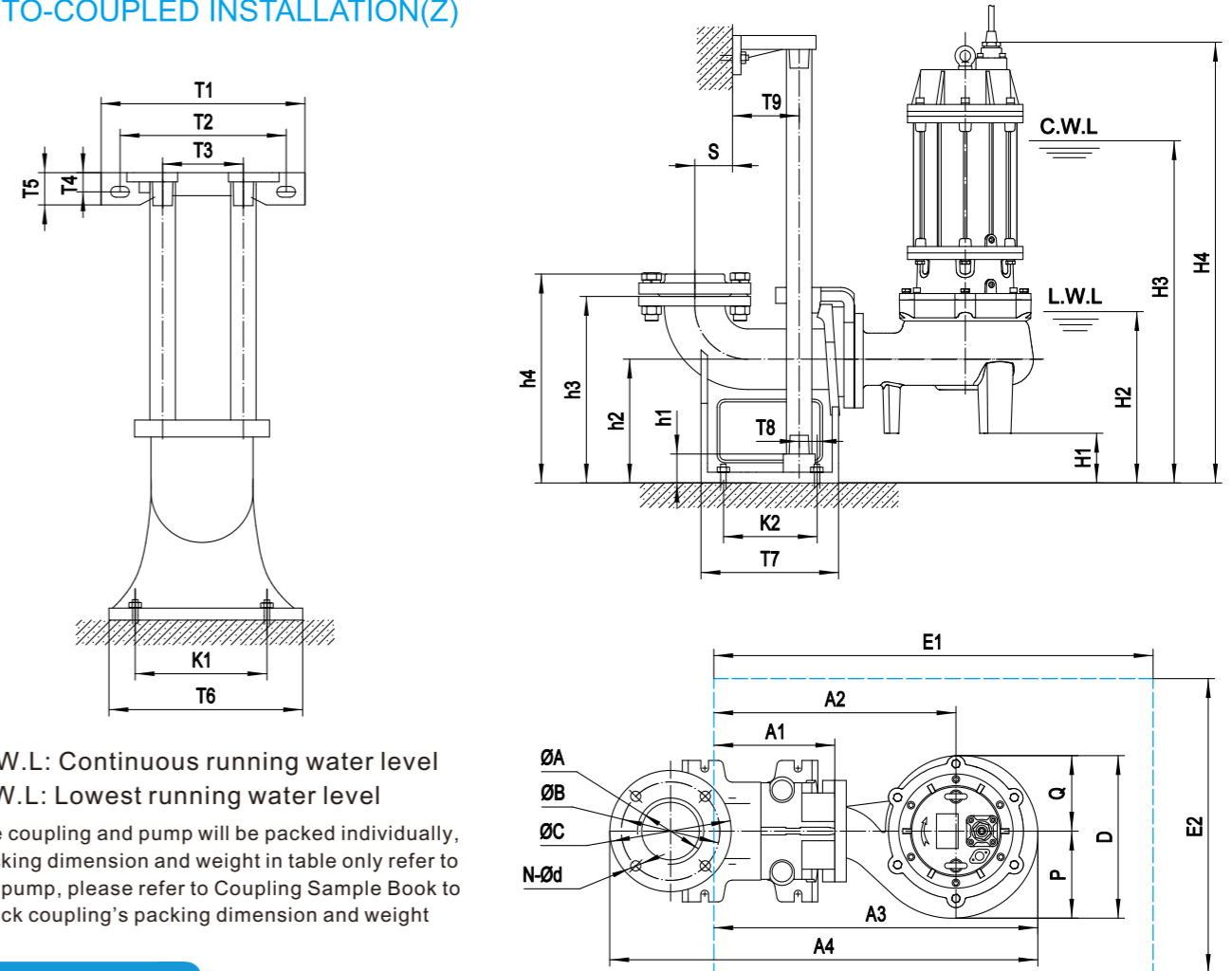
Model	R			Y		
	N.W	G.W	Packing dimension	N.W	G.W	Packing dimension
	kg	kg	mm	kg	kg	mm
80U45.5	132	145	904×384×465	136	149	904×384×485
100U45.5	136	149	944×384×495	172	155	944×384×525
80U47.5	147	161	954×384×465	151	165	954×384×485

Model	R			Y		
	N.W	G.W	Packing dimension	N.W	G.W	Packing dimension
	kg	kg	mm	kg	kg	mm
100U47.5	151	165	994×384×495	157	171	1024×384×525
100U411	170	185	1064×384×495	176	191	1094×384×525



## Cast iron submersible sewage pump

### AUTO-COUPLED INSTALLATION(Z)



C.W.L.: Continuous running water level  
L.W.L.: Lowest running water level

The coupling and pump will be packed individually, packing dimension and weight in table only refer to the pump, please refer to Coupling Sample Book to check coupling's packing dimension and weight

### Dimensions table

Auto coupling	ØA	ØB	ØC	N-Ød	T1	T2	T3	T4	T5	T6	T7	T8	T9	K1	K2	S	h1	h2	h3	h4
65-65(PN6)	Ø80 / G3"	150	190	4-Ø18	315	265	145	27	50	255	225	30	78	215	155	77	25	190	305	335
80-80(PN6)	Ø100 / G4"	170	210	4-Ø18	365	305	170	32	55	295	260	35	95	265	175	100	25	230	350	380

### Dimensions table

Model	Auto coupling	H1	H2	H3	H4	A1	A2	A3	A4	P	Q	D	E1×E2	Pump weight & packing dimension		
														N.W	G.W	Packing dimension
80U45.5	80-80(PN6)	50	305	640	855	175	405	560	730	172	172	344	750×550	127	140	934×384×465
100U45.5	100-100(PN6)	60	360	690	910	200	460	615	822	172	172	344	850×550	130	143	974×384×495
80U47.5	80-80(PN6)	50	305	685	900	175	405	560	730	172	172	344	750×550	142	156	984×384×465
100U47.5	100-100(PN6)	60	360	735	950	200	460	615	822	172	172	344	850×550	145	159	1024×384×495
100U411	100-100(PN6)	60	360	795	1015	200	460	615	822	172	172	344	850×550	164	179	1094×384×495